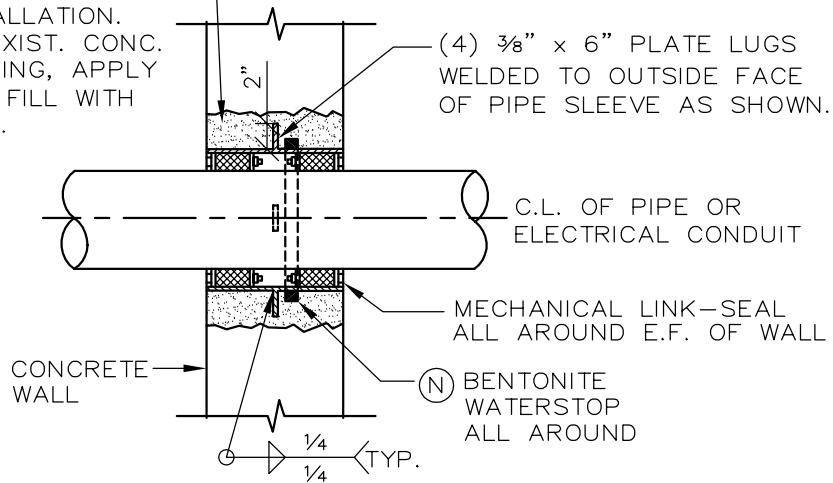


WATERTIGHT SLEEVE FOR PIPE ELECTRICAL CONDUIT PENETRATION

CORE OR SAW CUT EXISTING CONC. WALL AS REQUIRED FOR PIPE SLEEVE INSTALLATION. ROUGHEN INSIDE EXIST. CONC. SURFACE OF OPENING, APPLY EPOXY BOND AND FILL WITH NONSHRINK GROUT.



TYP. WATERTIGHT PIPE SLEEVE IN EXISTING CONCRETE WALLS

NOTE:

WHEN CORING OR SAW CUTTING FOR NEW OPENINGS IN EXISTING CONCRETE STRUCTURES, IN MOST CASES, THIS NEW OPENING SHALL BE REINFORCED. SEE PROPOSED REINFORCEMENT DETAIL.

C					
B					
A					
	DESCRIPTION	DRW	CKD	APP	DATE
REVISIONS					
DRAWN BY: S.D.A.					
CHECKED BY: S.D.A.					
APPROVED:					

WATERPROOFING FOR CONDUIT THROUGH WALL

SCALE: NONE

CITY OF DETROIT
WATER AND SEWERAGE
DEPARTMENT
ENGINEERING
DIVISION

SHEET 1 OF 1

DWG No. 07100-02