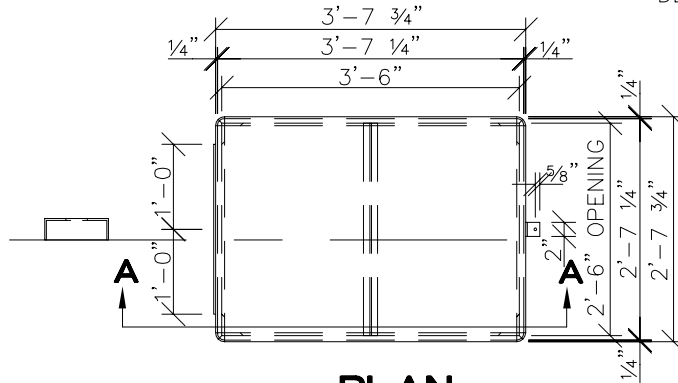
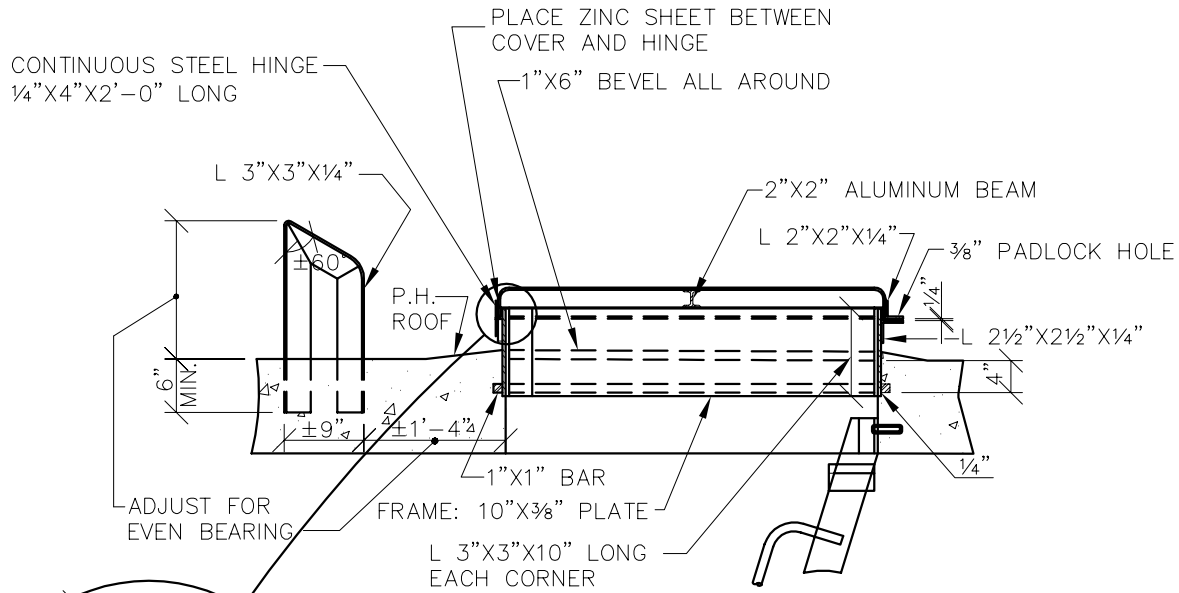


STEPS SHALL BE OF AN APPROVED DESIGN

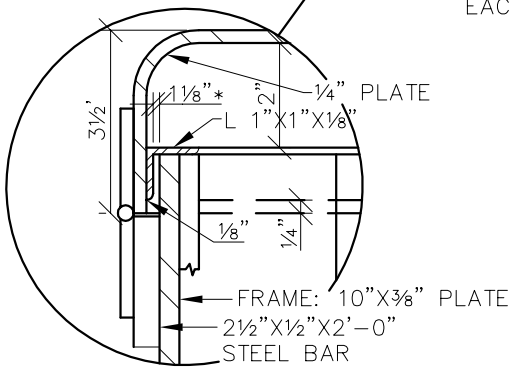


PLAN



SECTION A-A

* 1/8" CLEARANCE ON ALL SIDES.



NOTE:

COVER TO BE ALUMINUM ALLOY 6061-T6 (PLATES ASTM B209, SHAPES B308). ALL MEMBERS TO BE ASSEMBLED BY WELDING, EXCEPT HINGE WHICH SHALL BE BOLTED TO COVER WITH GALVANIZED THEFT-PROOF TYPE BOLTS SPACED 3" ON CENTER. FRAME TO BE STRUCTURAL STEEL. ALL STRUCTURAL STEEL COMPONENTS SHALL BE GALVANIZED.

COVER NO. 1

C					
B					
A					
	DESCRIPTION	DRW	CKD	APP	DATE
REVISIONS					
DRAWN BY: S.D.A.					
CHECKED BY: S.D.A.					
APPROVED:					

**HATCH,
ENTRANCE
COVER**

SCALE: NONE

CITY OF DETROIT
WATER AND SEWERAGE
DEPARTMENT
ENGINEERING
DIVISION

SHEET 1 OF 1

DWG No. 05630-03