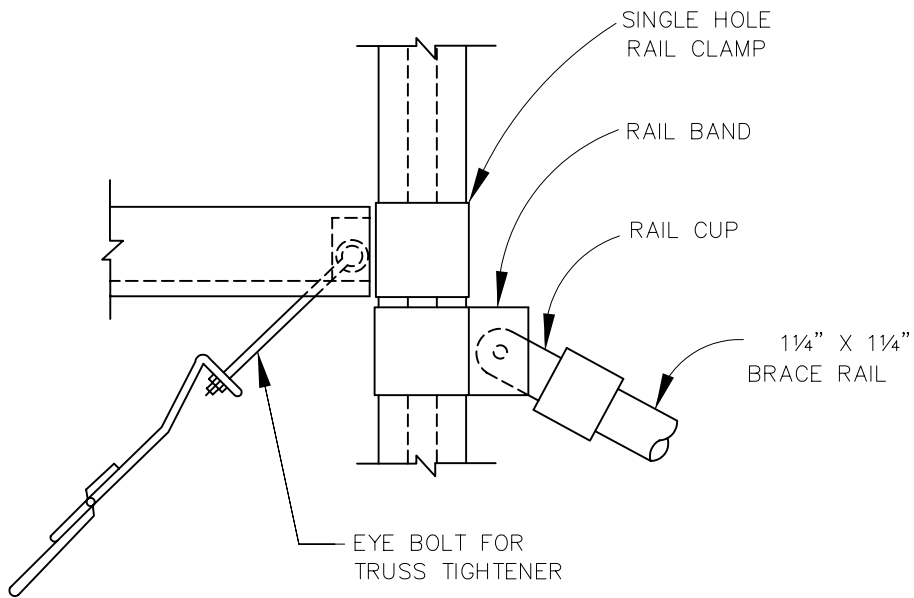


**2-WAY TRUSS CONNECTION**



**TRUSS CONNECTION**

C					
B					
A					
	DESCRIPTION	DRW	CKD	APP	DATE
REVISIONS					
DRAWN BY: S.D.A.					
CHECKED BY: S.D.A.					
APPROVED:					

**FENCE, TRUSS CONNECTIONS**

SCALE: NONE

CITY OF DETROIT  
**WATER AND SEWERAGE DEPARTMENT**  
 ENGINEERING DIVISION

SHEET 1 OF 1

DWG No. 02820-03