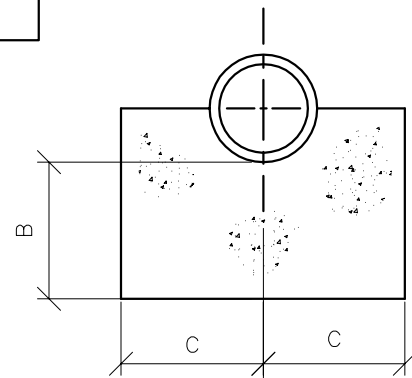
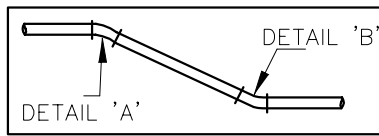


ELEVATION



SECTION B-B

SIZE OF PIPE (IN)	BEND IN DEGREE	A (FT)	B (FT)	C (FT)
6	22½	1.67	1.00	1.00
6	45	1.67	1.00	1.00
8	22½	1.75	1.00	1.00
8	45	1.75	1.00	1.00
10	22½	1.92	1.00	1.00
10	45	1.92	1.00	1.00
12	22½	2.17	1.00	1.00
12	45	2.17	1.00	1.00
16	22½	2.25	1.00	1.25
16	45	2.25	1.00	1.25

NOTE

THE DESIGN ENGINEER IS RESPONSIBLE FOR ENSURING THAT THE THRUST BLOCKS ARE CORRECTLY SIZED FOR EACH APPLICATION.

DETAIL "B"

C					
B					
A					
	DESCRIPTION	DRW	CKD	APP	DATE
REVISIONS					
DRAWN BY: S.D.A.					
CHECKED BY: S.D.A.					
APPROVED:					

**THRUST BLOCK,
VERTICAL BEND
(TRADITIONAL
DWSD SIZING)**

SCALE: NONE

CITY OF DETROIT
WATER AND SEWERAGE
DEPARTMENT
ENGINEERING
DIVISION

SHEET 2 OF 2

DWG No. 02620-27