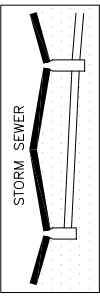

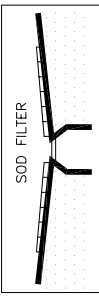
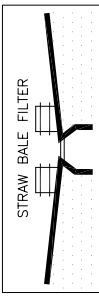


**\* INDICATES APPLICABILITY OF A SPECIFIC CONTROL MEASURE TO ONE OR MORE OF THE SEVEN PROBLEM AREAS.**

SLOPES	A	B	C	D	E	F	G
STREAMS AND WATERWAYS							
SURFACE DRAINAGEWAYS							
ENCLOSED DRAINAGE (INLET & OUTFALL CONTROL)					*		*
LARGE FLAT SURFACE AREAS					*		*
BORROW AND STOCKPILE AREAS							
ADJACENT PROPERTIES							*

29		STORM SEWER	SYSTEM REMOVES COLLECTED RUNOFF FROM SITE, PARTICULARLY FROM PAVED AREAS. CAN ACCEPT LARGE CONCENTRATIONS OF RUNOFF. CONDUCTS RUNOFF TO MUNICIPAL SEWER SYSTEM OR STABILIZED OUTFALL LOCATION. USE CATCH BASINS TO COLLECT SEDIMENT.
30		CATCH BASIN, DRAIN INLET	COLLECTS HIGH VELOCITY CONCENTRATED RUNOFF. MAY USE FILTER CLOTH OVER INLET.
31		SOD FILTER	INEXPENSIVE TO CONSTRUCT. PROVIDES IMMEDIATE PROTECTION. PROTECTS AREAS AROUND INLETS FROM EROSION.
32		STRAW BALE FILTER	INEXPENSIVE AND EASY TO CONSTRUCT. CAN BE LOCATED AS NECESSARY TO COLLECT SEDIMENT. MAY BE USED IN CONJUNCTION WITH SNOW FENCE FOR ADDED STABILITY.

C					
B					
A					
	DESCRIPTION	DRW	CKD	APP	DATE
REVISIONS					
DRAWN BY: S.D.A.					
CHECKED BY: S.D.A.					
APPROVED:					

**SOIL EROSION  
AND SEDIMENTATION  
CONTROL MEASURES  
(FROM 29-32)**

SCALE: NONE

CITY OF DETROIT  
WATER AND SEWERAGE  
DEPARTMENT  
ENGINEERING  
DIVISION

SHEET 7 OF 9

DWG No. 01014-15